

6

5

4

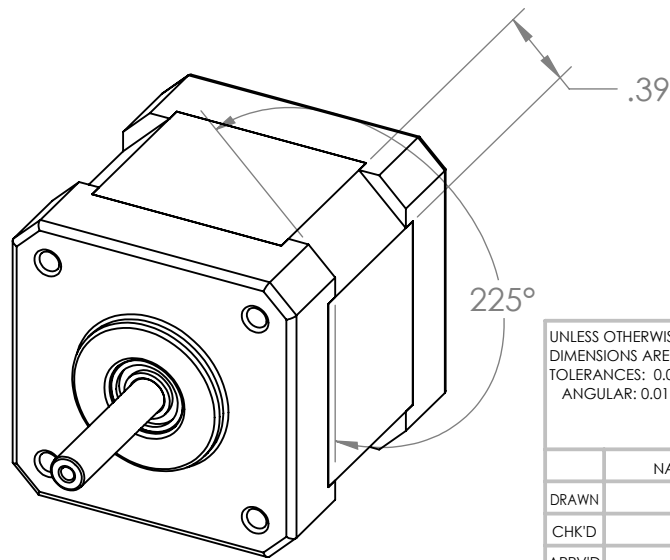
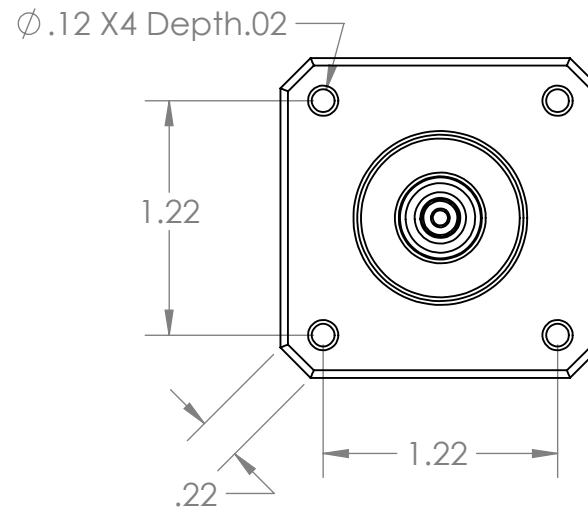
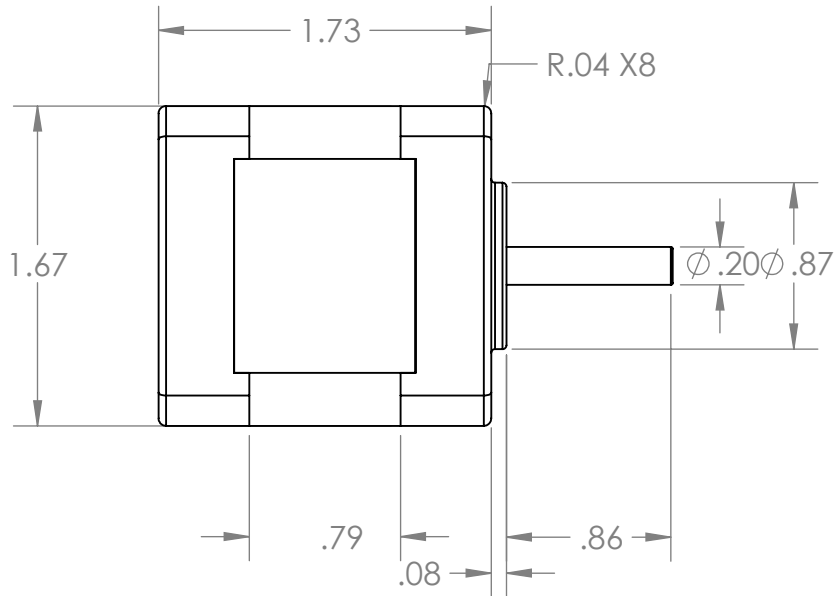
3

2

1

D

D



UNLESS OTHERWISE SPECIFIED: DIMENSIONS ARE IN MILLIMETERS TOLERANCES: 0.001 ANGULAR: 0.01			FINISH:		DEBURR AND BREAK SHARP EDGES		REVISION		
					TITLE: NEMA 17				
					MATERIAL: Steel		DWG NO. RS-001		A4
Manufacturer Nema17			Cost \$9.98		WEIGHT: 0.812 kg		SCALE:1:1		SHEET 1 OF 1

C

C

B

B

A

A

6

5

4

3

2

1