

UNLESS OTHERWISE SPECIFIED: FINISH:
 DIMENSIONS ARE IN INCHES
 TOLERANCES: 0.12
 TWO PLACE DECIMAL 0 ±0.12
 ANGULAR: 0 ±2'

DEBURR AND
 BREAK SHARP
 EDGES

DO NOT SCALE DRAWING	REVISION
----------------------	----------

COMMENTS: 3D printed using
 0.2 Nozzel
 0.16 +/-0.5 quality

	NAME	SIGNATURE	DATE		
DRAWN	W.T		1/27/22		
CHK'D					
APPV'D					
MFG					
Q.A					
				MATERIAL:	
				Polylactic acid	
	Manufacturer:	Team Dose			
				WEIGHT: 0.039kg	

TITLE:
RS-003 MOTOR HOLDER pg1-2

DWG NO.	RS-003 MOTOR HOLDER	A4
SCALE: 1:2	SHEET 1 OF 2	

6

5

4

3

2

1

D

C

B

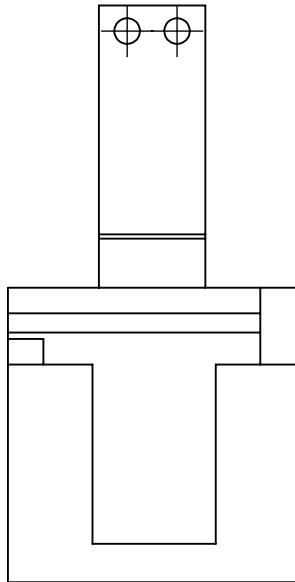
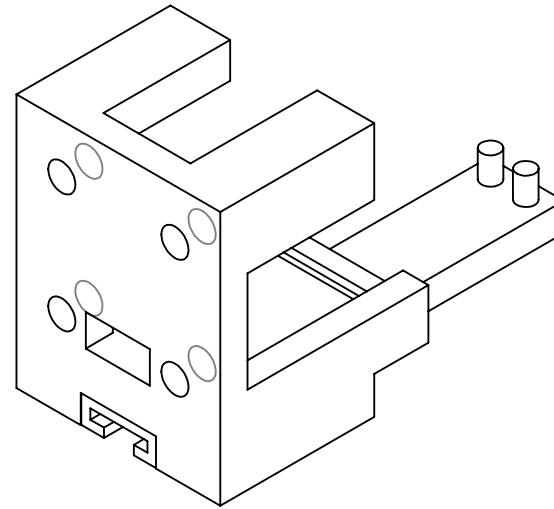
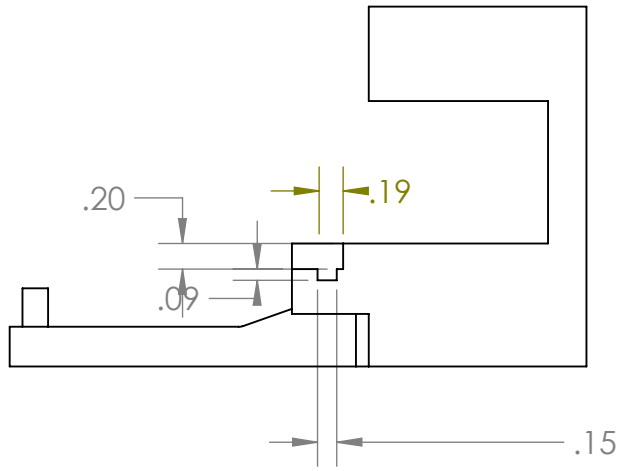
A

D

C

B

A



UNLESS OTHERWISE SPECIFIED: FINISH:		DIMENSIONS ARE IN INCHES		TOLERANCES: 0.12		TWO PLACE DECIMAL 0 ±0.12		ANGULAR: 0±2'		DEBURR AND BREAK SHARP EDGES		REVISION	
DRAWN		NAME		SIGNATURE		DATE						COMMENTS: 3D printed using 0.2 Nozzel 0.16 +/-0.5 quality	
CHK'D						1/27/22						TITLE: RS-003 MOTOR HOLDER pg1-2	
APPV'D													
MFG													
Q.A								MATERIAL: Polylactic acid		DWG NO. RS-003 MOTOR HOLDER		A4	
Manufacturer:		Team Dose								SCALE: 1:2		SHEET 2 OF 2	
Cost		\$0.32						WEIGHT: 0.039kg					

6

5

4

3

2

1