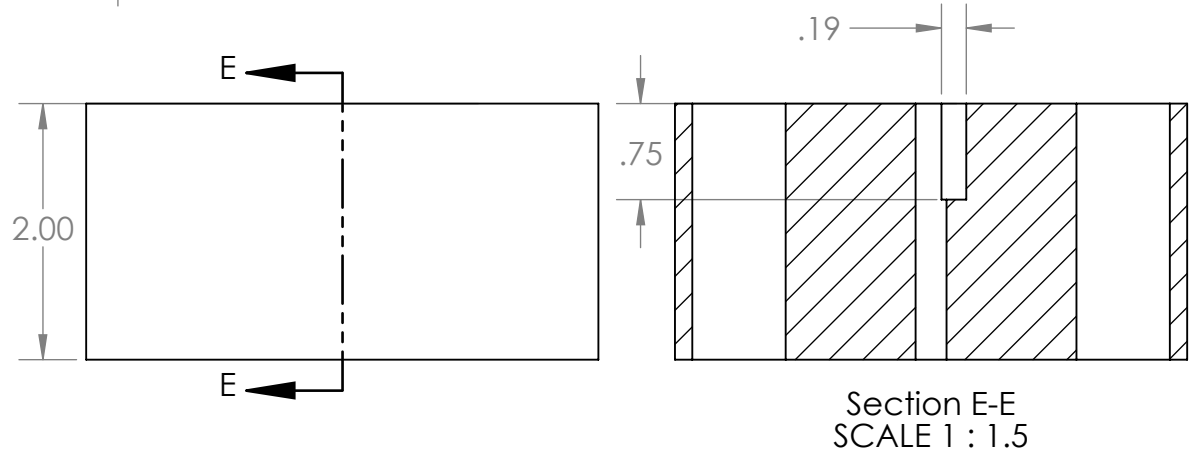
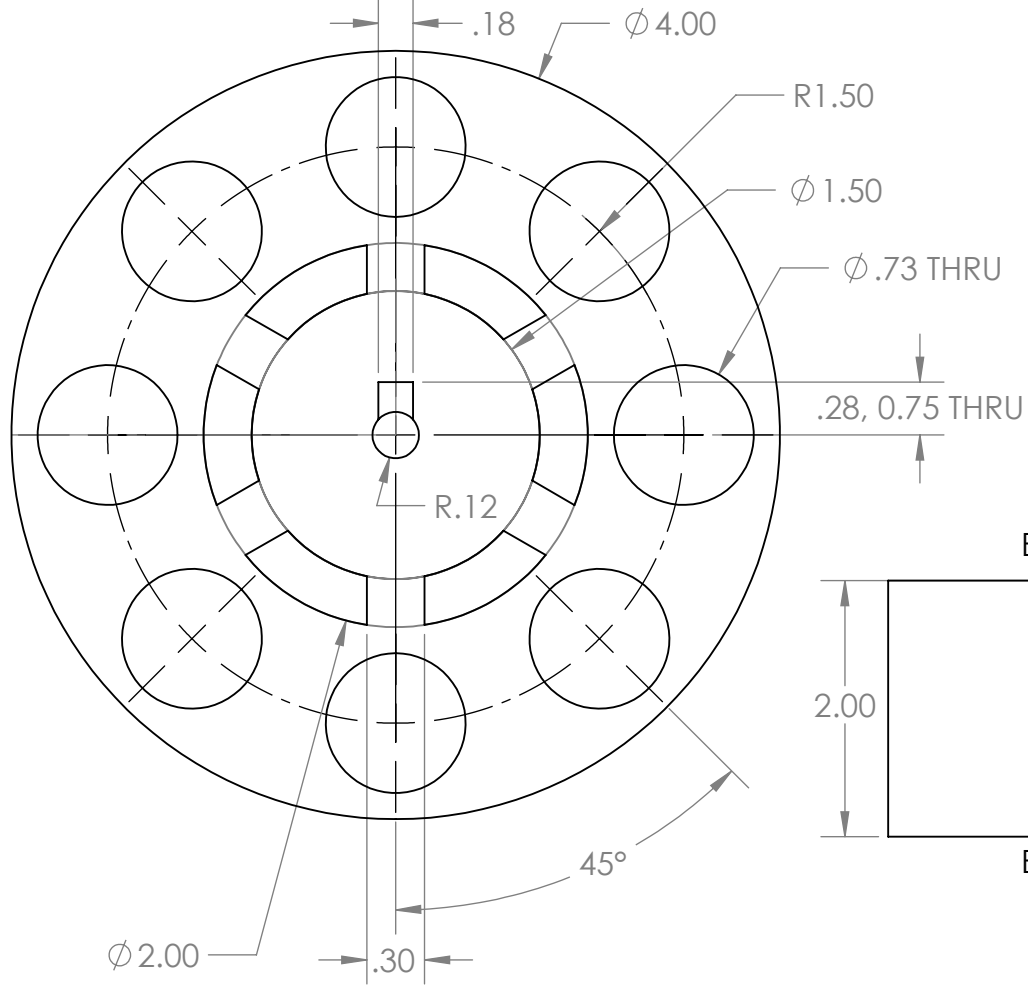


Rev 1: 1/14/22 Removed Filling to reduce material used



UNLESS OTHERWISE SPECIFIED: FINISH: DIMENSIONS ARE IN INCHES TOLERANCES: 0.12 TWO PLACE DECIMAL 0 ±0.12 ANGULAR: 0±2'				Process 3D Print		SCALE DRAWING	REVISION 2
						COMMENTS: 3D printed using 0.2 Nozzel 0.16 +/-0.5 quality	
NAME	SIGNATURE	DATE		TITLE: RS-004 Rotary			
DRAWN W.T		1/14/22		DWG NO. Part. NO. L-001			
CHK'D Q.T		1/15/22					
APPV'D				MATERIAL: Polylactic Acid			
MFG							
Q.A				DWG NO. Part. NO. L-001			
Manufacturer:	Team Dose						
Cost	\$0.66			WEIGHT: 0.098 kg		SCALE:1:2	SHEET 1 OF 1

PROPRIETARY AND CONFIDENTIAL
THE INFORMATION CONTAINED IN THIS DRAWING IS THE SOLE PROPERTY OF Team DOSE. ANY REPRODUCTION IN PART OR AS A WHOLE WITHOUT THE WRITTEN PERMISSION OF Team DOSE IS PROHIBITED.