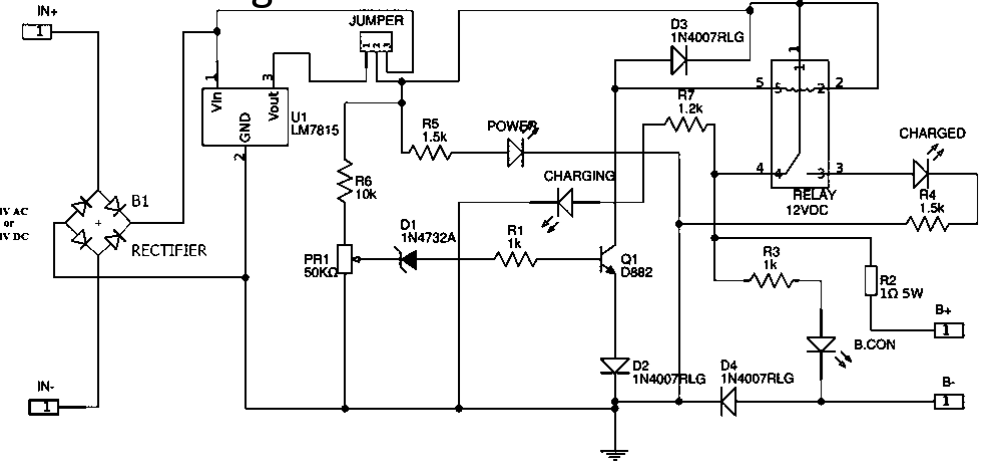
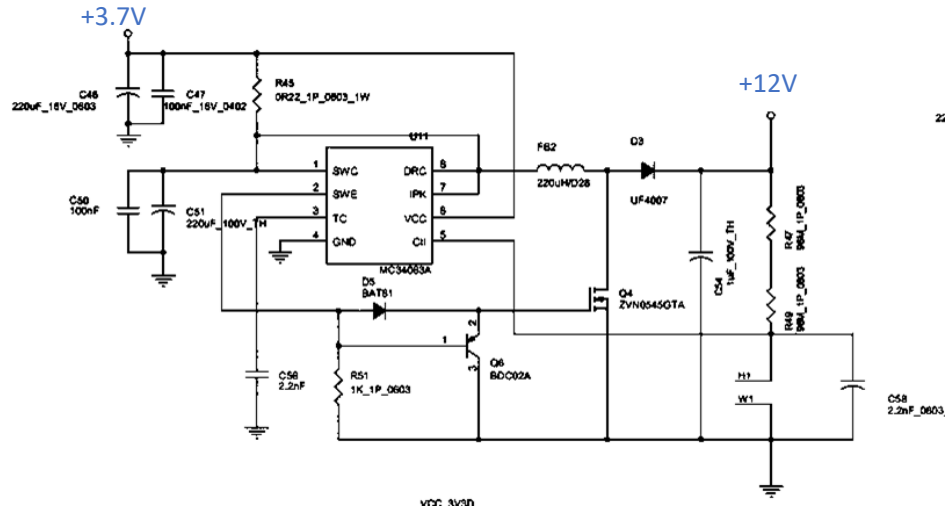


Electrical Schematic - Main

Charge Controller – EC002



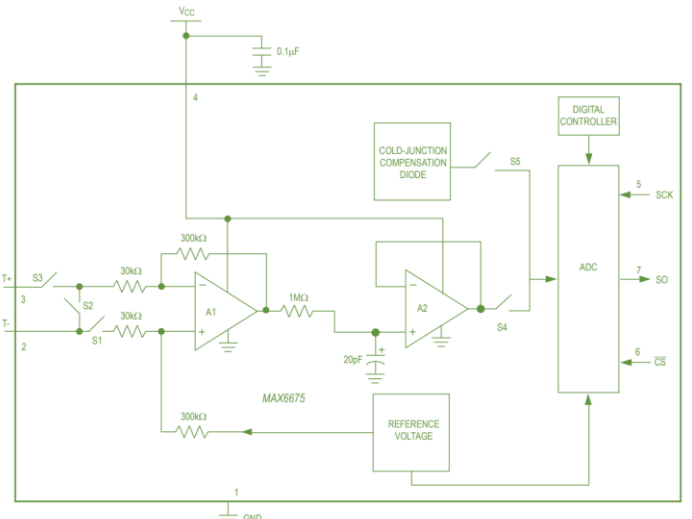
DCDC 12V-3V converter – EC003



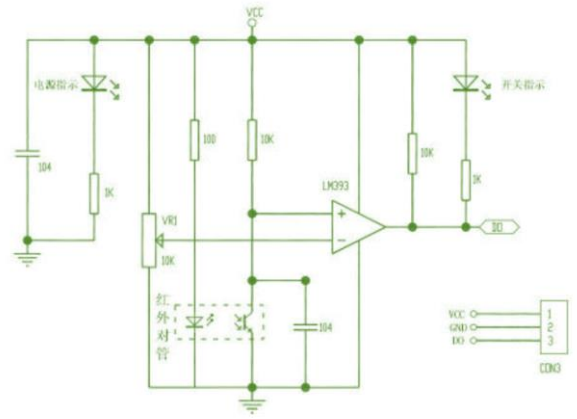
Light – EL010



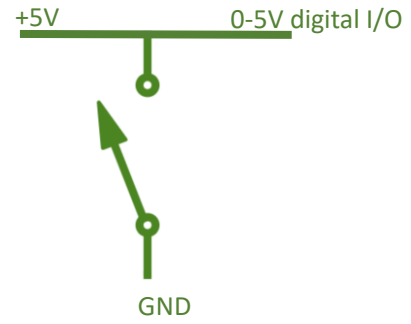
Thermocouple (MAX6675) – ES002



IR sensor – ES001



Door Open Sensor – FD003



Beeper – EL009

