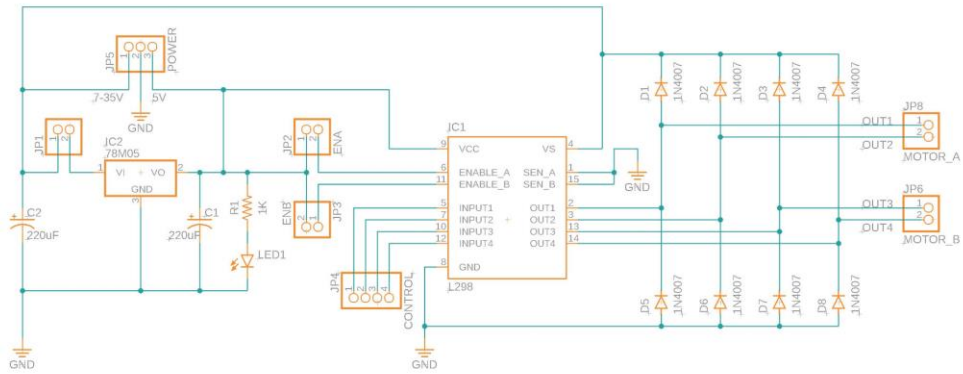
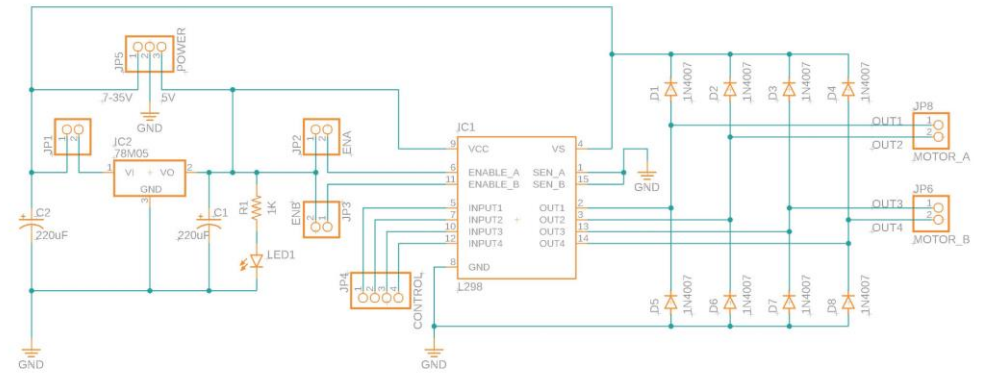


Electrical Schematic - Motor Control

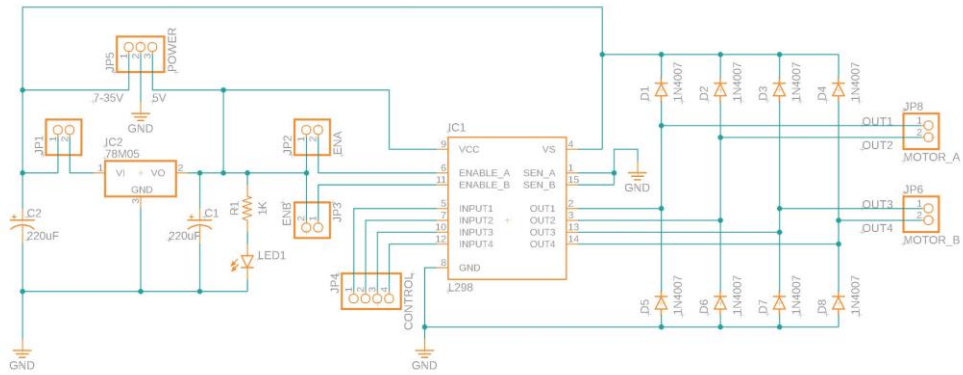
LM298N - MC001



LM298N - MC002



LM298N - MC003



LM298N - MC004

