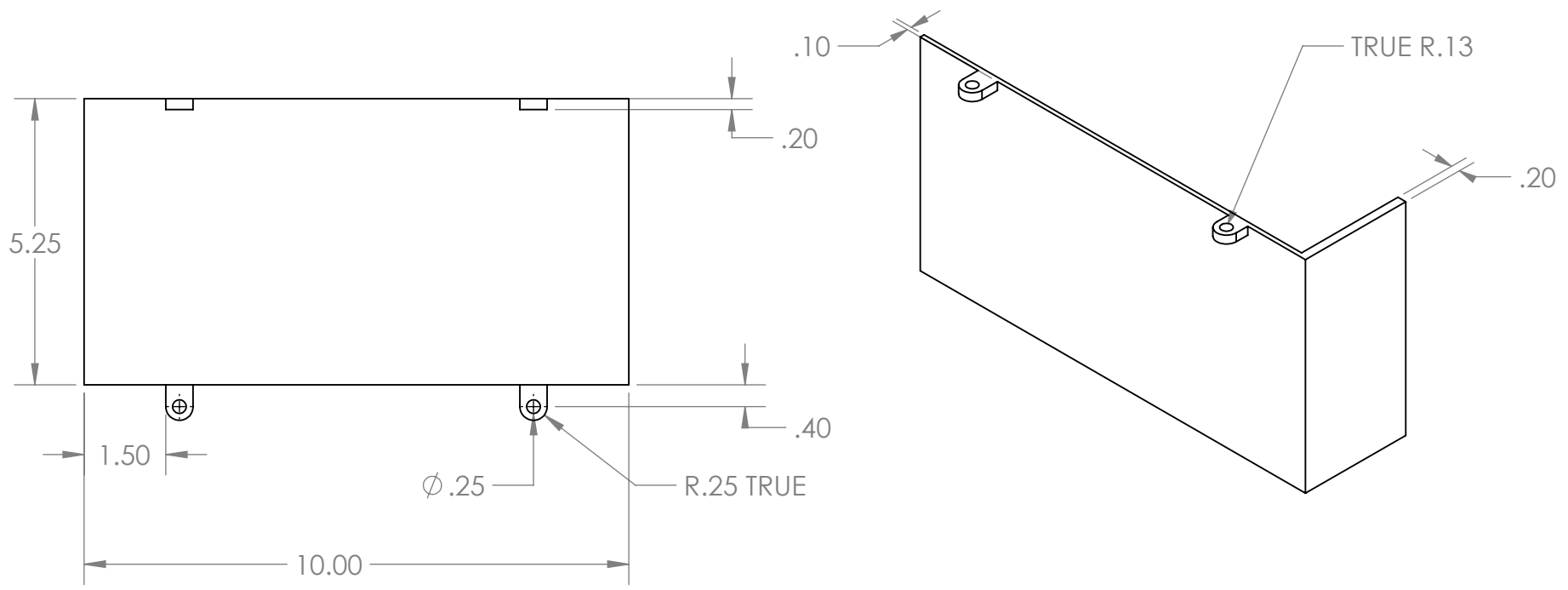


6 5 4 3 2 1

D
C
B
A



DIMENSIONS ARE IN INCHES TOLERANCES: 0.12 TWO PLACE DECIMAL 0 ±0.12 ANGULAR: 0±2'				COMMENTS: 3D printed using 0.2 Nozzel 0.16 +/-0.5 quality		REVISION 1	
				Team Dose			
				Name			
				COVER			
				Part No.			
				EL-003			
				A4			
Team Dose				WEIGHT: .131 kg		SCALE:1	
				SHEET 1 OF 1			