

Senior Design 2019

Deliverable: CAD of EMG Housing

Date: 01/28/19

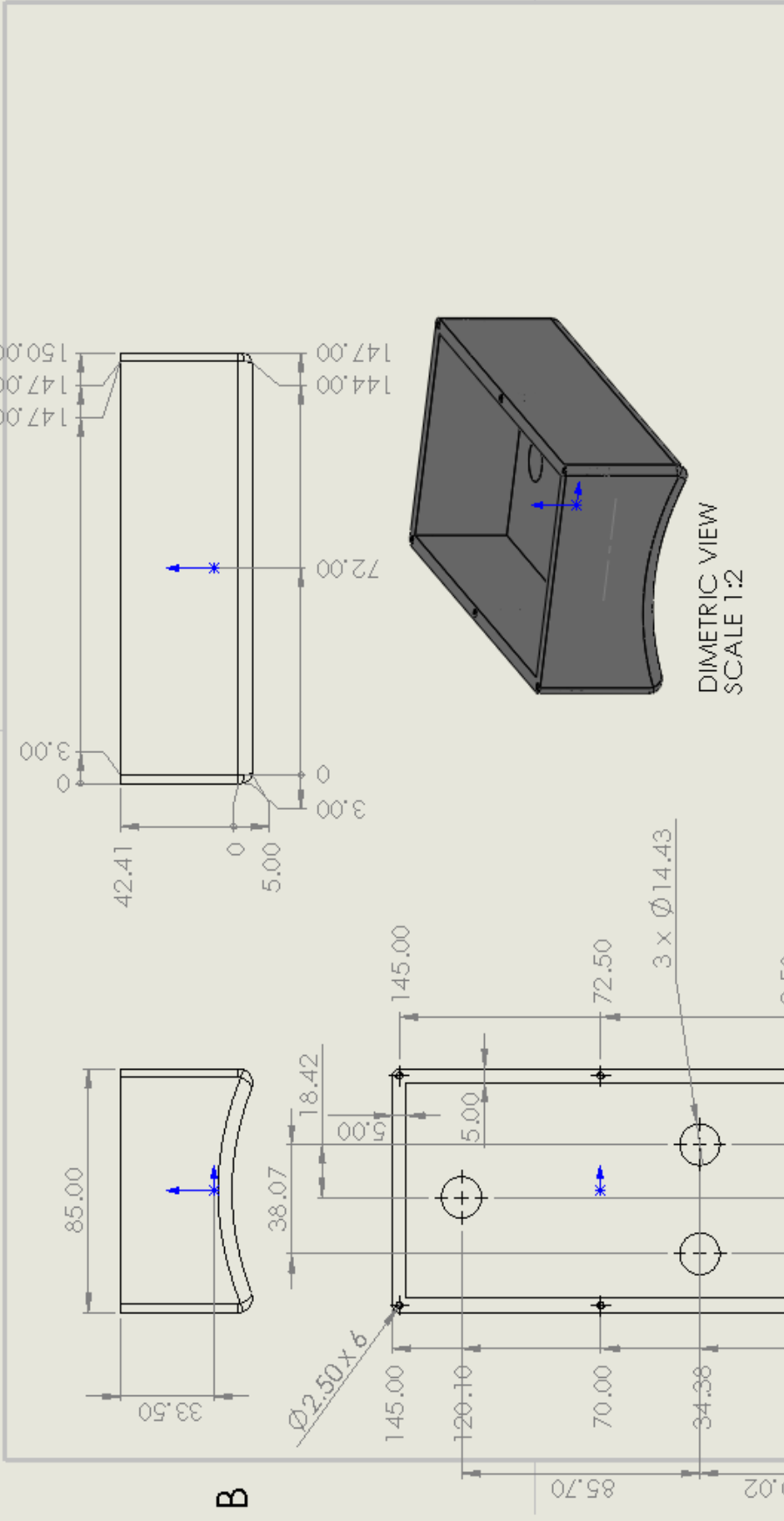
Team: Notorious EMG

Team Members: Chris Anderson, Vi Tran, Jacob Gamboa, Marshall Kabat

Main Contributor: Marshall Kabat (ME)

2

1



DIMETRIC VIEW
SCALE 1:2

A

2

UNLESS OTHERWISE SPECIFIED:		NAME	DATE	NOTORIOUS EMG	
DIMENSIONS ARE IN MILLI		DRAWN		TITLE:	
TOLERANCES:		CHECKED		EMG	
FRACTIONAL:		ENG APPR.		ENCLOSURE	
ANGULAR: MA CH ± BEND ±		WFG APPR.		SCALE: 1:2	
TWO PLACE DECIMAL ±		Q. A.		SHEET 1 OF 1	
THREE PLACE DECIMAL ±		COMMENTS:		REV	
INTERPRET GEOMETRIC		BASIC MODEL		DWG. NO.	
TOLERANCING PER:				A	
MATERIAL: PBT				SIZE	
FINISH:				REV	
NEXT ASSY				SCALE: 1:2	
USED ON				SHEET 1 OF 1	
APPLICATION				SCALE: 1:2	
PROPRIETARY AND CONFIDENTIAL				SCALE: 1:2	
THE INFORMATION CONTAINED IN THIS				SCALE: 1:2	
DRAWING IS THE SOLE PROPERTY OF				SCALE: 1:2	
NOTORIOUS EMG, A NY				SCALE: 1:2	
CORPORATION. ANY				SCALE: 1:2	
REPRODUCTION IN PART OR AS A WHOLE				SCALE: 1:2	
WITHOUT THE WRITTEN PERMISSION OF				SCALE: 1:2	
NOTORIOUS EMG IS				SCALE: 1:2	
PROHIBITED.				SCALE: 1:2	

1

2