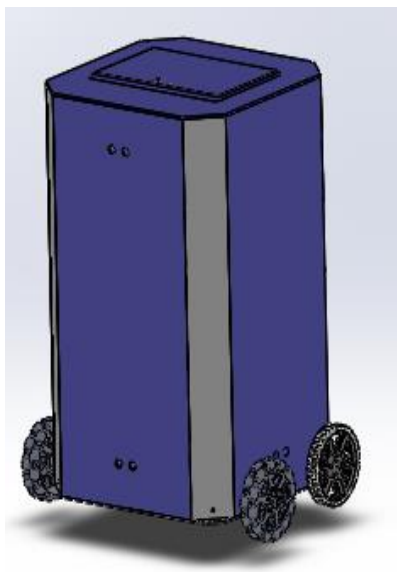


PILL BOT

Full Mechanical Drawing Package

MEDICATION
DISTRIBUTION
ROBOT



ROBO-MEDICS

Joanna Dickinson - ME
Lorena Ferreira - ME
Leanna Temple - ME

SEATTLE PACIFIC UNIVERSITY

SENIOR DESIGN
1/28/2019



6

5

4

3

2

1

D

D

C

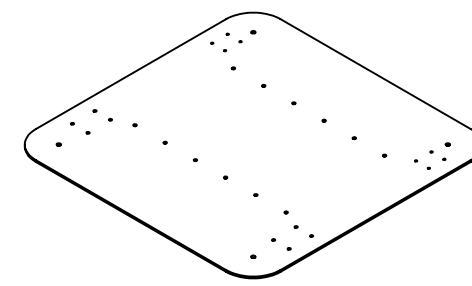
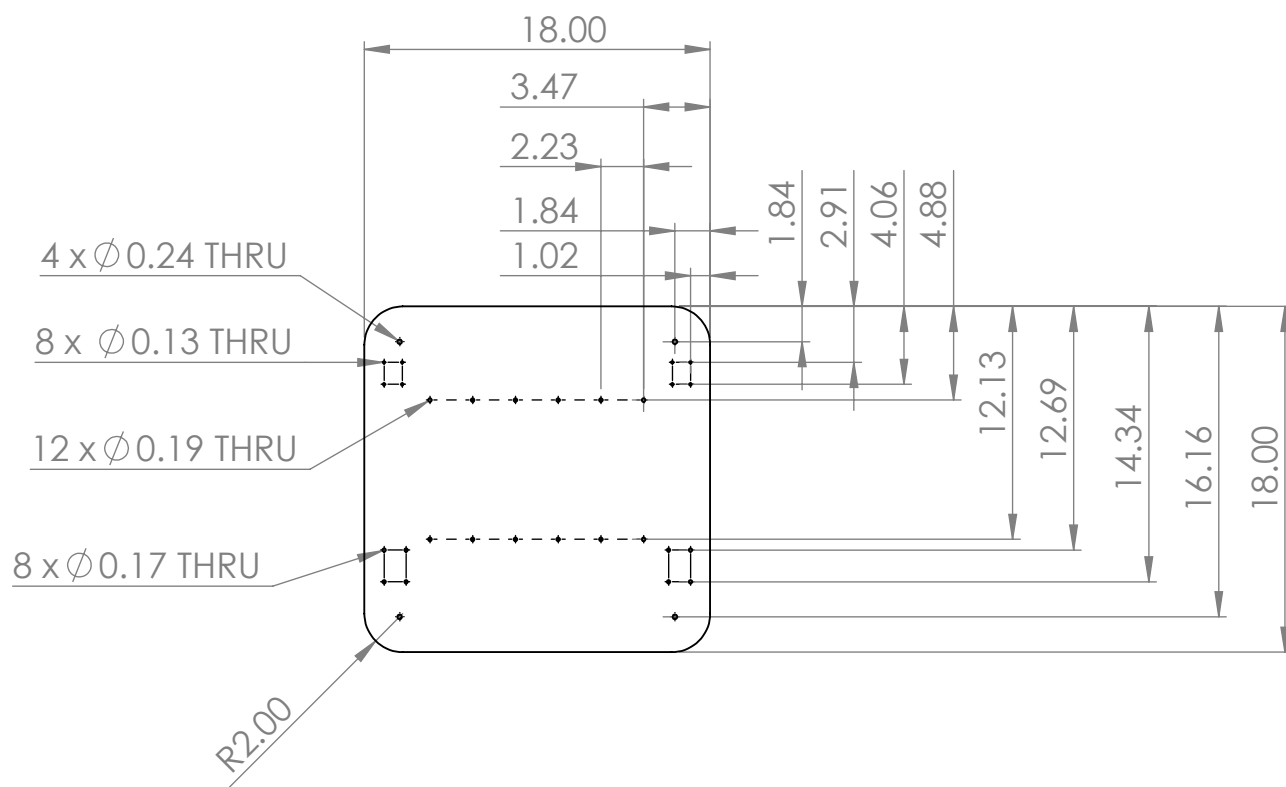
C

B

B

A

A



UNLESS OTHERWISE SPECIFIED: DIMENSIONS ARE IN INCHES TOLERANCES: Hole Diameter ± 0.01 Angles ± 0.01 NOTE: - Number of holes with specified diameter is given by the number on the front of the dimension				FINISH:		DEBURR AND BREAK SHARP EDGES		DO NOT SCALE DRAWING		REVISION							
						<p style="text-align: center; font-size: 24pt; margin: 0;">Base plate</p>											
DRAWN		Lorena Ferreira		SIGNATURE								DATE		1/27/2019		TITLE:	
CHK'D		Joanna Dickinson		SIGNATURE								DATE		1/27/2019		TITLE:	
APPV'D		Leanna Temple		SIGNATURE								DATE		1/28/2019		TITLE:	
MFG				SIGNATURE								DATE				TITLE:	
Q.A						MATERIAL:						DWG NO.					
						Aluminum 0.13 " thick						1					
						WEIGHT:						SCALE:1:10					
												SHEET 1 OF 1					

6

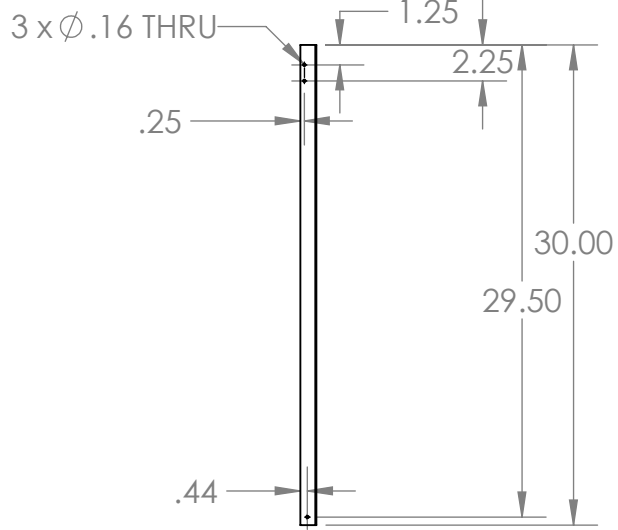
5

4

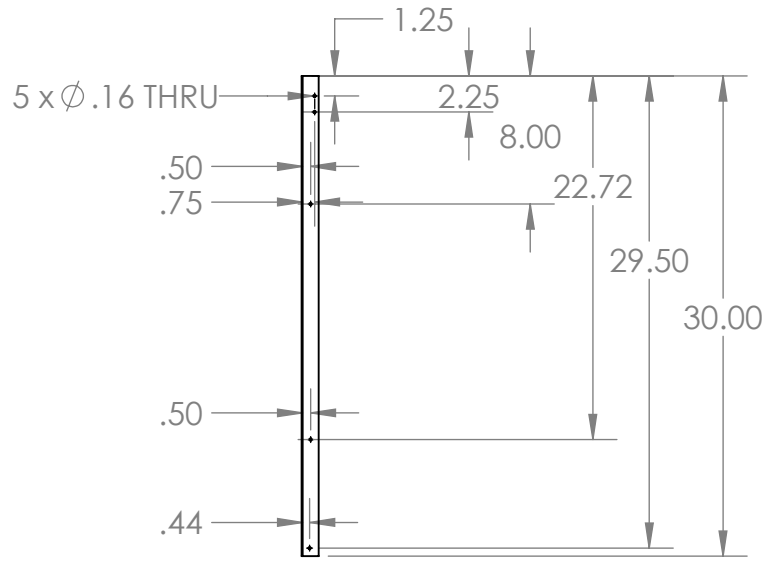
3

2

1



Front View



Left View



Isometric View

UNLESS OTHERWISE SPECIFIED: DIMENSIONS ARE IN INCHES TOLERANCES: HOLE DIAMETER ± 0.01				FINISH:		DEBURR AND BREAK SHARP EDGES		DO NOT SCALE DRAWING		REVISION	
NOTE: -All holes are 0.16 thru when not specified											
	NAME	SIGNATURE	DATE			TITLE: Angle Support					
DRAWN	Lorena Ferreira		1/27/2019								
CHK'D	Joanna Dickinson		1/27/2019								
APPV'D	Leanna Temple		1/28/2019			DWG NO. 2					
MFG											
Q.A						MATERIAL: Aluminum 1" x 1" x 0.125"					
						WEIGHT:					
						SCALE:1:12					
						SHEET 1 OF 1					

6

5

4

3

2

1

D

D

C

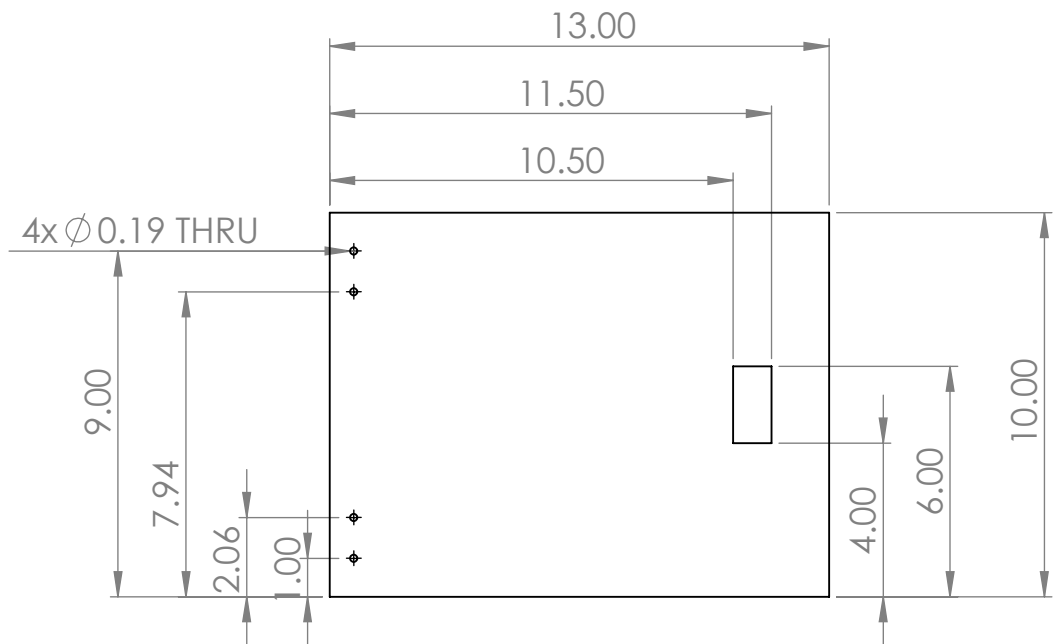
C

B

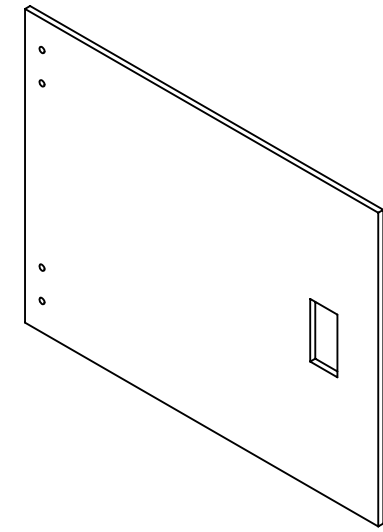
B

A

A



Front View



Isometric View

UNLESS OTHERWISE SPECIFIED: DIMENSIONS ARE IN INCHES SURFACE FINISH: TOLERANCES: ± 0.01 ALL UNMARKED HOLES ARE 0.19 DIAMETER				FINISH:		DEBURR AND BREAK SHARP EDGES		DO NOT SCALE DRAWING		REVISION					
								<p style="text-align: center; font-size: 24pt; margin: 0;">TITLE:</p> <h1 style="text-align: center; margin: 0;">Housing: Back Door</h1>							
DRAWN		NAME		SIGNATURE		DATE						DWG NO.		A4	
CHK'D		Loana Ferreira				1/27/19						3			
APPV'D		Leanna Temple				1/27/19						SCALE:1:5		SHEET 1 OF 1	
MFG															
Q.A								MATERIAL:							
								ACRYLIC 3/16" THICK							
								WEIGHT:							

6

5

4

3

2

1

6

5

4

3

2

1

D

D

C

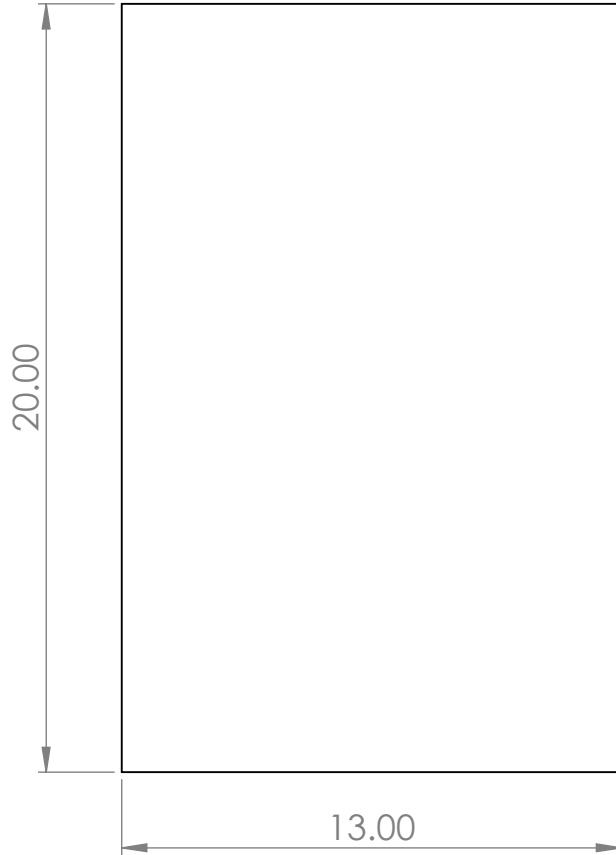
C

B

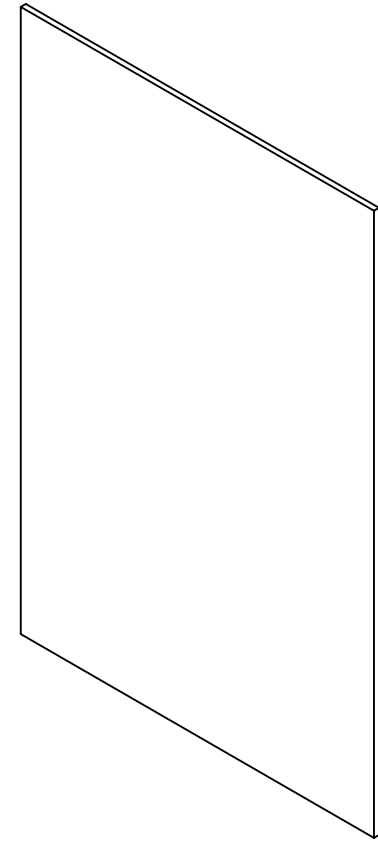
B

A

A



Front View



Isometric View

UNLESS OTHERWISE SPECIFIED: DIMENSIONS ARE IN INCHES SURFACE FINISH: TOLERANCES: ±0.01			FINISH:		DEBURR AND BREAK SHARP EDGES		DO NOT SCALE DRAWING		REVISION		
	NAME	SIGNATURE	DATE				TITLE: Housing: Back Side				
DRAWN	Joanna Dickinson		1/27/19								
CHK'D	Lorena Ferreira		1/27/19								
APPV'D	Leanna Temple		1/27/19								
MFG											
Q.A				MATERIAL: ACRYLIC 3/16" THICK			DWG NO. 4			A4	
				WEIGHT:			SCALE:1:5			SHEET 1 OF 1	

6

5

4

3

2

1

6

5

4

3

2

1

D

D

C

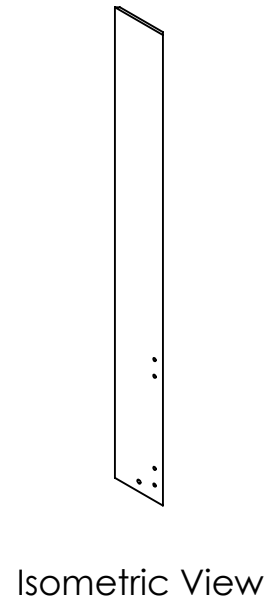
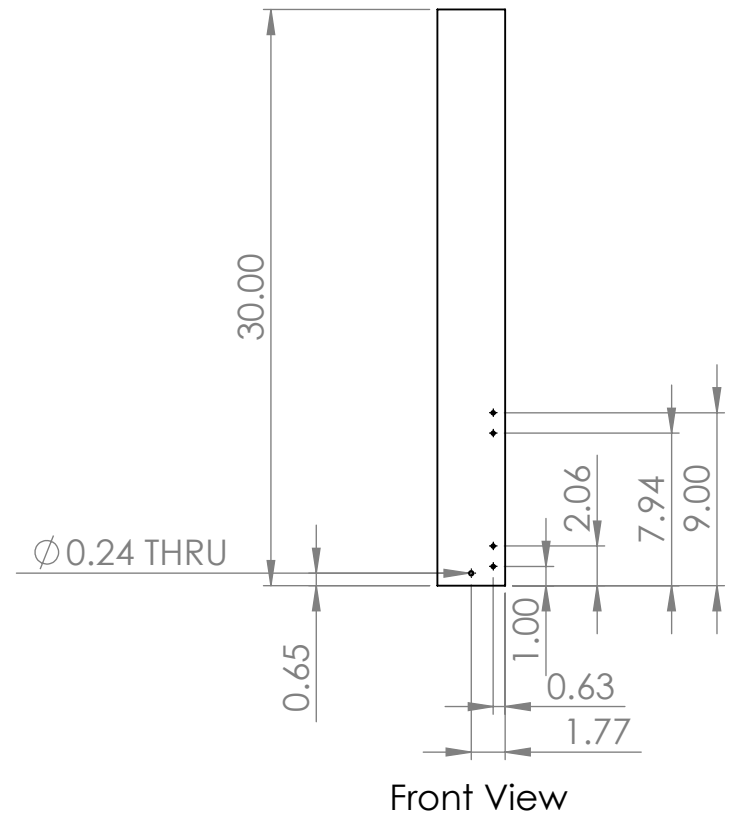
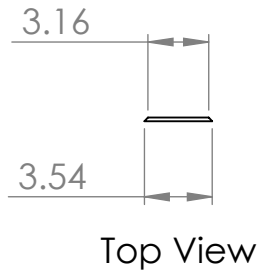
C

B

B

A

A



UNLESS OTHERWISE SPECIFIED: DIMENSIONS ARE IN INCHES SURFACE FINISH: TOLERANCES: ± 0.01 ALL UNMARKED HOLES ARE $\phi.16$ DIAMTER THRU				FINISH:		DEBURR AND BREAK SHARP EDGES		DO NOT SCALE DRAWING		REVISION			
								<p style="text-align: center;">TITLE:</p> <p style="text-align: center; font-size: 1.2em;">Housing: Corner Face for back door</p>					
DRAWN		NAME		SIGNATURE		DATE							
CHK'D		Lorena Ferreira				1/27/19							
APPV'D		Leanna Temple				1/27/19							
MFG													
Q.A								MATERIAL:		DWG NO.			
								ACRYLIC 3/16" THICK		5			
								WEIGHT:		SCALE:1:10			
										SHEET 1 OF 1			

6

5

4

3

2

1

6

5

4

3

2

1

D

D

C

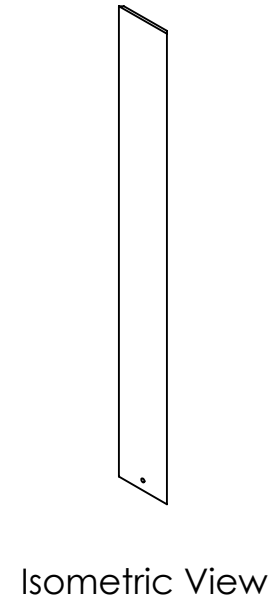
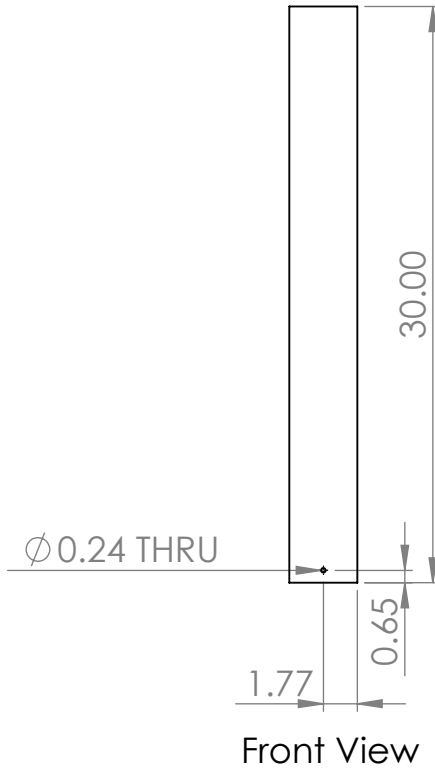
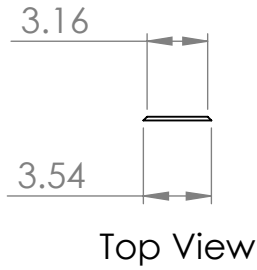
C

B

B

A

A



UNLESS OTHERWISE SPECIFIED: DIMENSIONS ARE IN INCHES SURFACE FINISH: TOLERANCES: ± 0.01			FINISH:		DEBURR AND BREAK SHARP EDGES	DO NOT SCALE DRAWING		REVISION	
						<p style="text-align: center; font-size: 24pt; margin: 0;">TITLE:</p> <p style="text-align: center; font-size: 36pt; margin: 0;">Housing: Corner Face Back</p>			
	NAME	SIGNATURE	DATE						
DRAWN	Joanna Dickinson		1/27/19						
CHK'D	Lorena Ferreira		1/27/19						
APPV'D	Leanna Temple		1/27/19						
MFG									
Q.A						MATERIAL:	DWG NO.		A4
						ACRYLIC 3/16" THICK	6		
						WEIGHT:	SCALE:1:10		SHEET 1 OF 1

6

5

4

3

2

1

6

5

4

3

2

1

D

D

C

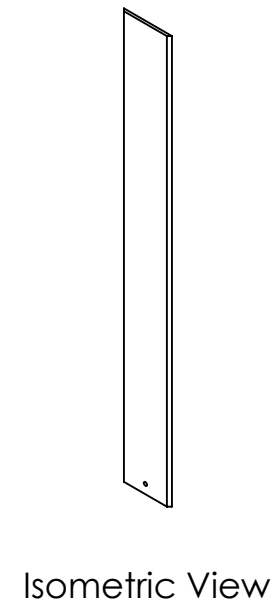
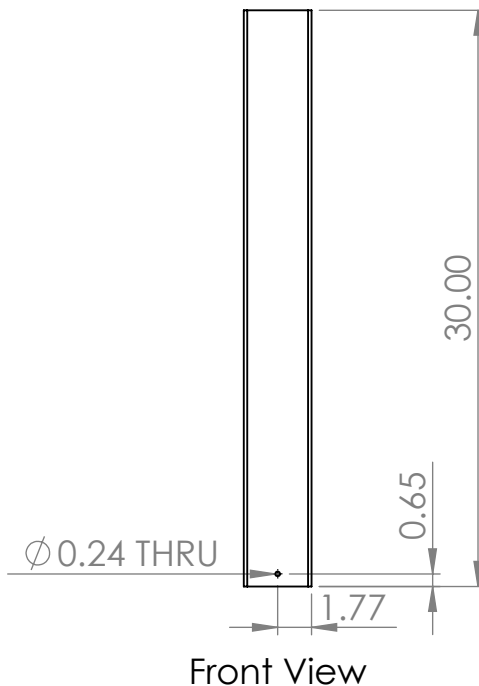
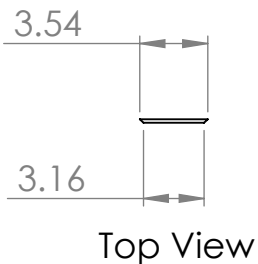
C

B

B

A

A



UNLESS OTHERWISE SPECIFIED: DIMENSIONS ARE IN INCHES SURFACE FINISH: TOLERANCES: ±0.01				FINISH:		DEBURR AND BREAK SHARP EDGES		DO NOT SCALE DRAWING		REVISION	
								<h1>Housing: Corner front</h1>			
	NAME	SIGNATURE	DATE								
DRAWN	Joanna Dickinson		1/27/19								
CHK'D	Lorena Ferreira		1/27/19								
APPV'D	Leanna Temple		1/27/19								
MFG											
Q.A				MATERIAL:			DWG NO.		<p>7</p> <p>A4</p>		
				ACRYLIC 3/16" THICK							
				WEIGHT:			SCALE:1:10		SHEET 1 OF 1		

6

5

4

3

2

1

6

5

4

3

2

1

D

D

C

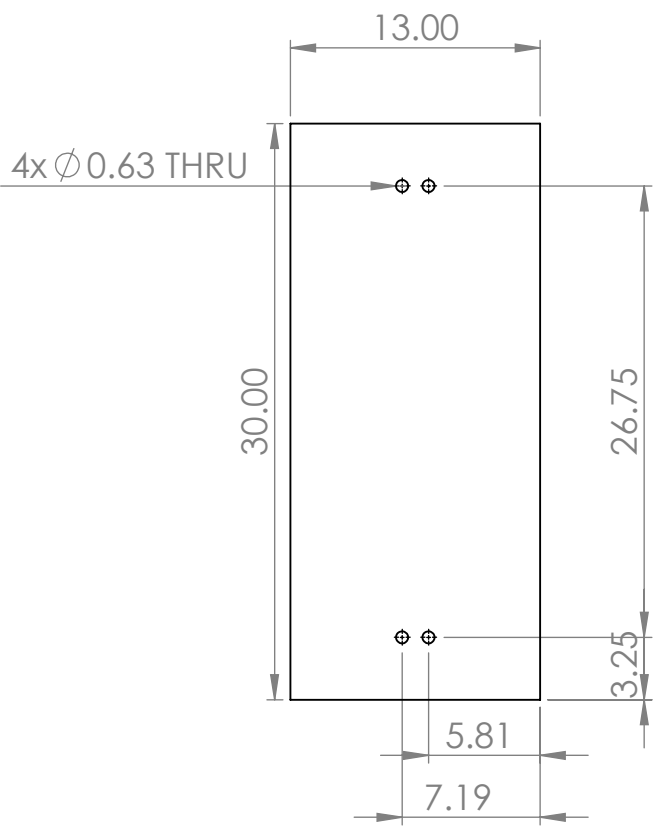
C

B

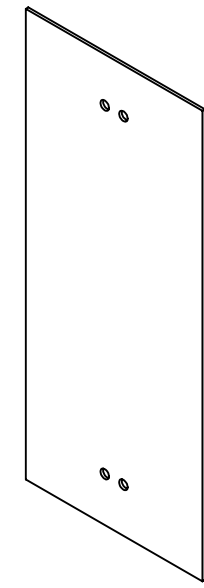
B

A

A



Front View



Isometric View

UNLESS OTHERWISE SPECIFIED: DIMENSIONS ARE IN INCHES SURFACE FINISH: TOLERANCES: ± 0.01 ALL UNMARKED HOLES HAVE 0.63 DIAMETER			FINISH:		DEBURR AND BREAK SHARP EDGES		DO NOT SCALE DRAWING		REVISION		
							<h1>Housing: Front Side</h1>				
		NAME	SIGNATURE	DATE							
DRAWN	Joanna Dickinson			1/27/19							
CHK'D	Lorena Ferreira			1/27/19							
APPV'D	Leanna Temple			1/27/19							
MFG								TITLE:			
Q.A						MATERIAL:		DWG NO.			
						ACRYLIC 3/16" THICK		8			
						WEIGHT:		SCALE:1:10			
								SHEET 1 OF 1			

6

5

4

3

2

1

6

5

4

3

2

1

D

D

C

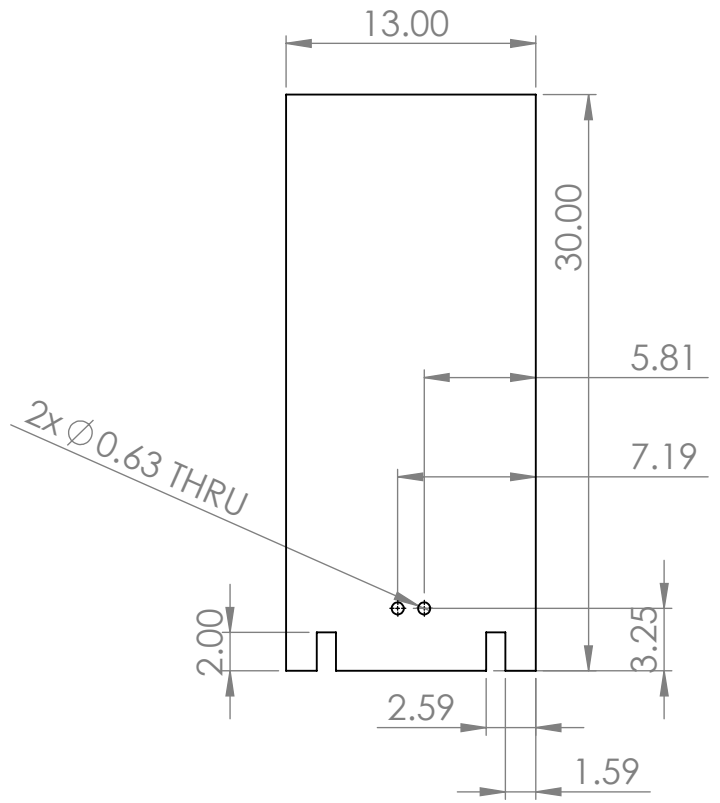
C

B

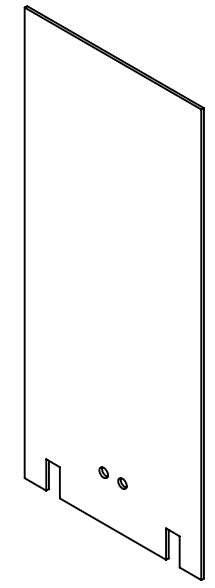
B

A

A



Front View



Isometric View

UNLESS OTHERWISE SPECIFIED: DIMENSIONS ARE IN INCHES SURFACE FINISH: TOLERANCES: Hole Diameter ±0.01 ALL UNMARKED HOLES HAVE 0.63 DIAMETER			FINISH:		DEBURR AND BREAK SHARP EDGES		DO NOT SCALE DRAWING		REVISION					
							TITLE: Housing: Left & Right Side							
DRAWN		NAME		SIGNATURE		DATE								
CHK'D		Lorena Ferreira				1/27/19								
APPV'D		Leanna Temple				1/27/19								
MFG														
Q.A								MATERIAL: ACRYLIC 3/16" THICK		DWG NO. 9				
								WEIGHT:		SCALE:1:10				
										SHEET 1 OF 1				

6

5

4

3

2

1

6

5

4

3

2

1

D

D

C

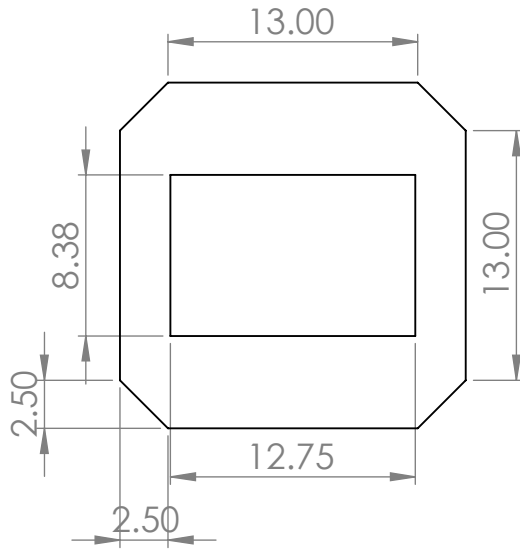
C

B

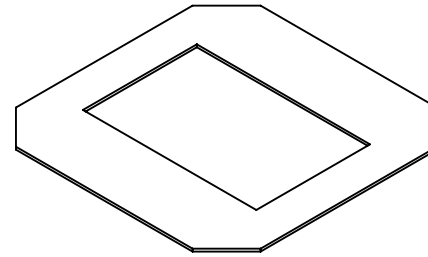
B

A

A



Top View



Isometric View

UNLESS OTHERWISE SPECIFIED: DIMENSIONS ARE IN INCHES SURFACE FINISH: TOLERANCES: ± 0.01				FINISH:		DEBURR AND BREAK SHARP EDGES		DO NOT SCALE DRAWING		REVISION	
								TITLE: Housing: Top Cover			
	NAME	SIGNATURE	DATE								
DRAWN	Joanna Dickinson		1/27/19								
CHK'D	Lorena Ferreira		1/27/19								
APPV'D	Leanna Temple		1/27/19								
MFG								DWG NO.		A4	
Q.A				MATERIAL: ACRYLIC 3/16" THICK				10			
				WEIGHT:		SCALE:1:10		SHEET 1 OF 1			

6

5

4

3

2

1

6

5

4

3

2

1

D

D

C

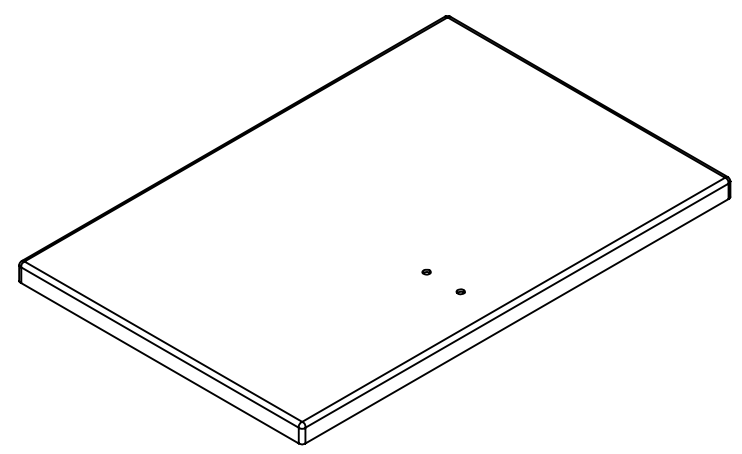
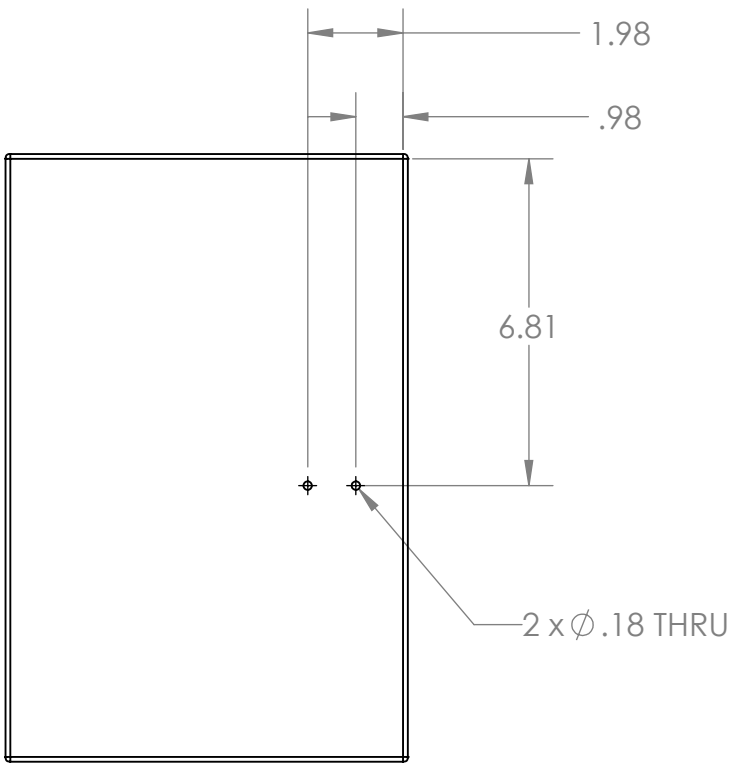
C

B

B

A

A



UNLESS OTHERWISE SPECIFIED: DIMENSIONS ARE IN MILLIMETERS TOLERANCES: Hole Diameter ±0.001 NOTE: -All holes 0.18 when not specified				FINISH:		DEBURR AND BREAK SHARP EDGES		DO NOT SCALE DRAWING		REVISION							
						TITLE: <h1>Lockbox Lid</h1>											
DRAWN		NAME		SIGNATURE								DATE					
CHK'D		Joanna Dickinson										1/27/2019					
APPV'D		Leanna Temple										1/28/2019					
MFG																	
Q.A								MATERIAL: Heavy Duty Steel		DWG NO. 11							
								WEIGHT:		SCALE:1:4							
										SHEET 1 OF 1							

6

5

4

3

2

1

6

5

4

3

2

1

D

D

C

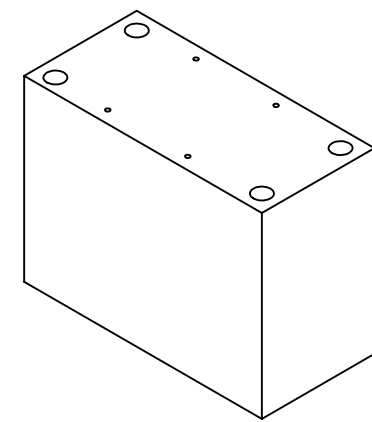
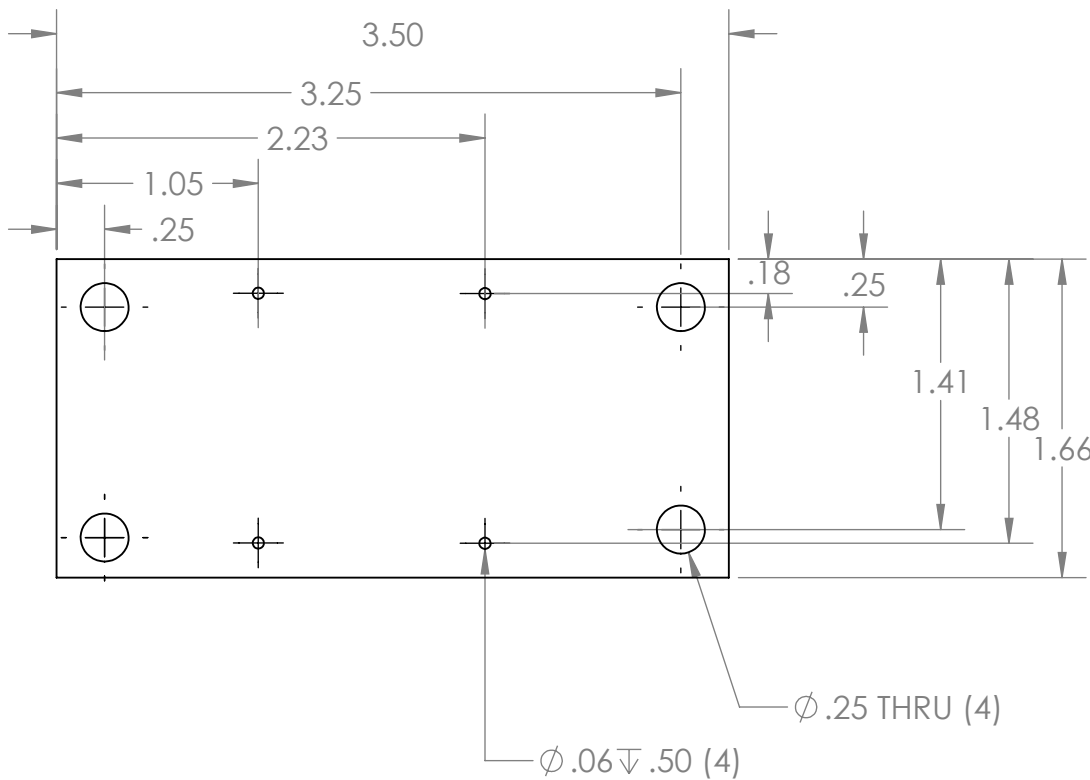
C

B

B

A

A



UNLESS OTHERWISE SPECIFIED: DIMENSIONS ARE IN INCHES TOLERANCES: Hole Diameter ±0.01				FINISH:		DEBURR AND BREAK SHARP EDGES		DO NOT SCALE DRAWING		REVISION	
NOTE: - Number of holes with specified diameter is given in brackets											
	NAME	SIGNATURE	DATE			TITLE: Lock Support					
DRAWN	Lorena Ferreira		1/27/2019								
CHK'D	Joanna Dickinson		1/27/2019								
APPV'D	Leanna Temple		1/28/2019								
MFG											
Q.A						MATERIAL: Pine Wood 3.50" x 1.66" x 2.63"		DWG NO. 12		A4	
						WEIGHT:		SCALE:1:1		SHEET 1 OF 1	

6

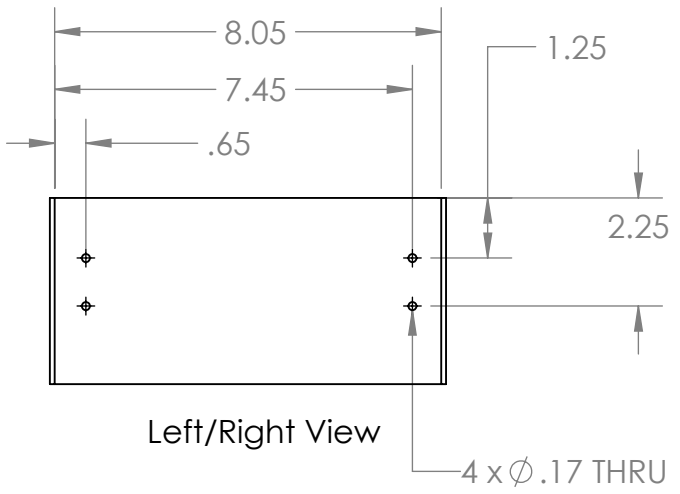
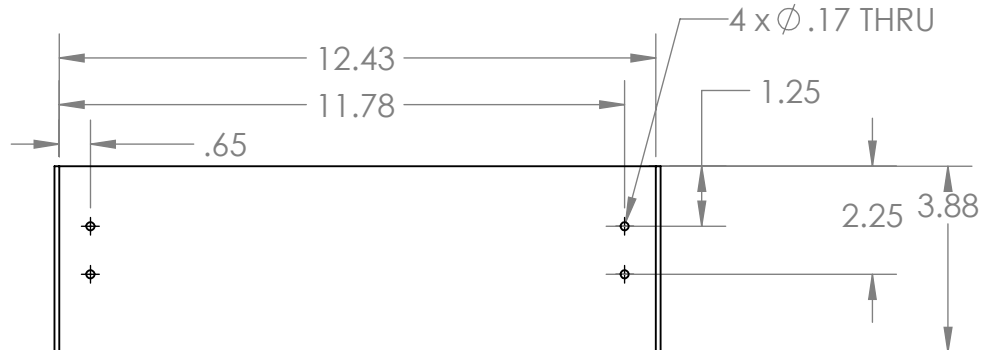
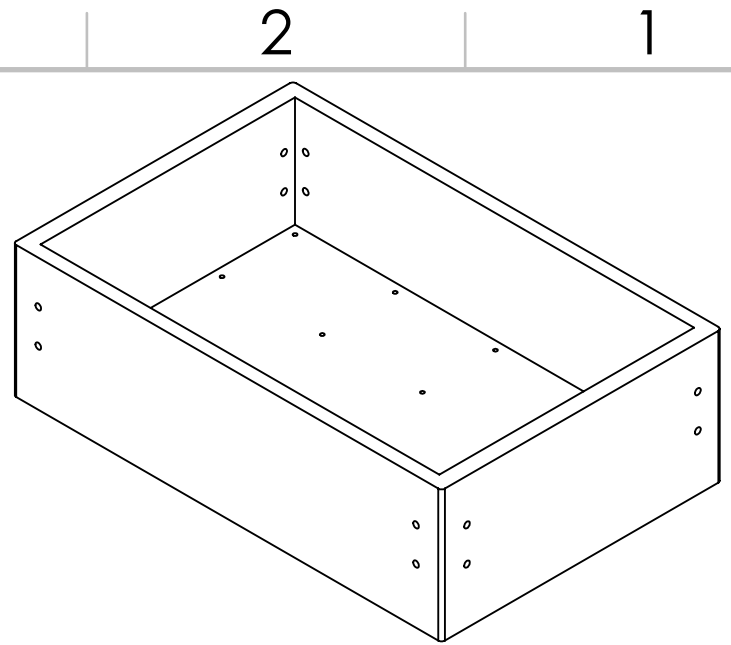
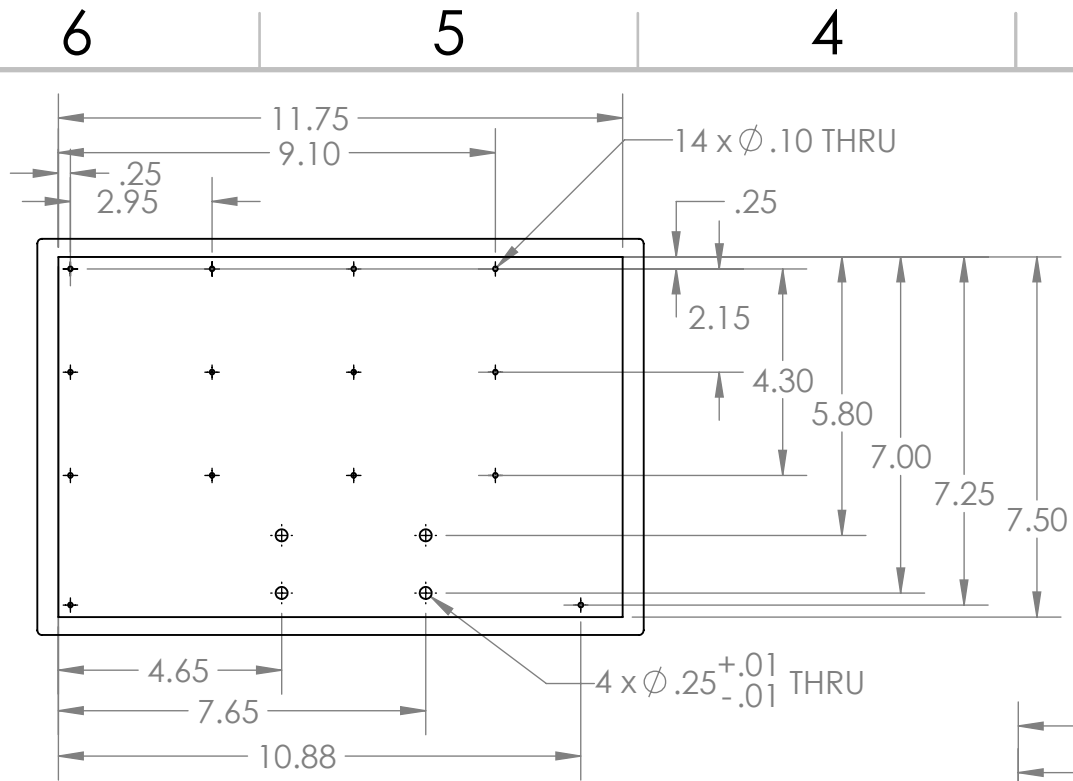
5

4

3

2

1



UNLESS OTHERWISE SPECIFIED: DIMENSIONS ARE IN INCHES TOLERANCES: Hole Diameters ±0.01 NOTE: -Number of holes with specified diameter is given in front of hole size				FINISH:		DEBURR AND BREAK SHARP EDGES		DO NOT SCALE DRAWING		REVISION	
DRAWN Lorena Ferreira						DATE 1/27/2019		TITLE: <h1>Lockbox</h1>			
CHK'D Joanna Dickinson						DATE 1/27/2019					
APPV'D Leanna Temple						DATE 1/28/2019					
MFG											
Q.A						MATERIAL: Heavy Duty Steel		DWG NO. <h1>13</h1>		A4	
						WEIGHT:		SCALE:1:4		SHEET 1 OF 1	

6

5

4

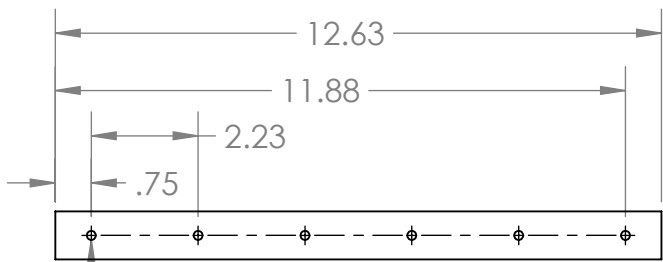
3

2

1

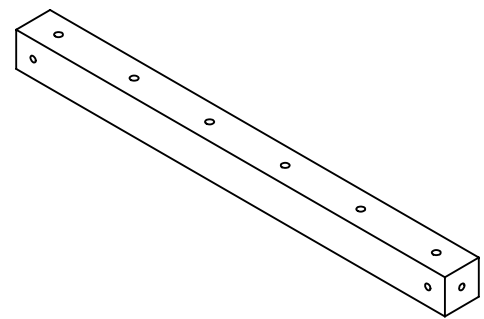
D

D



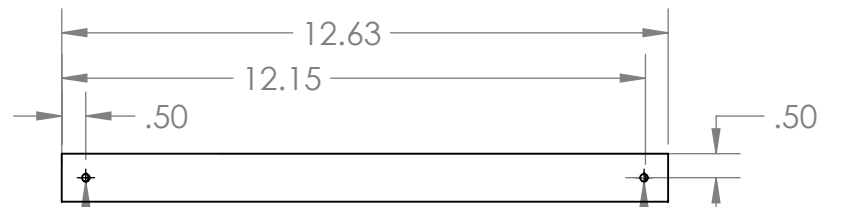
6 x ϕ .19 THRU

Top View



C

C

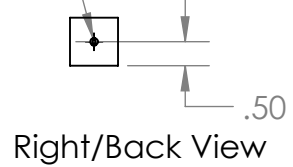


ϕ .16 ∇ .47

Front View

ϕ .16 ∇ .47

ϕ .16 ∇ .47



Right/Back View

B

B

UNLESS OTHERWISE SPECIFIED: DIMENSIONS ARE IN INCHES TOLERANCES: HOLE DIAMETER ± 0.01				FINISH:		DEBURR AND BREAK SHARP EDGES		DO NOT SCALE DRAWING		REVISION	
NOTE: - All holes 0.16 thru when not specified											
	NAME	SIGNATURE	DATE			TITLE: Wooden Anchor					
DRAWN	Lorena Ferreira		1/24/2019								
CHK'D	Leanna Temple		1/28/2019								
APPV'D	Joanna Dickinson		1/28/2019								
MFG						MATERIAL: Pine Wood 1" Thick					
Q.A											
						DWG NO. 14				A4	
						SCALE:1:4				SHEET 1 OF 1	

A

A

6

5

4

3

2

1

6

5

4

3

2

1

D

D

C

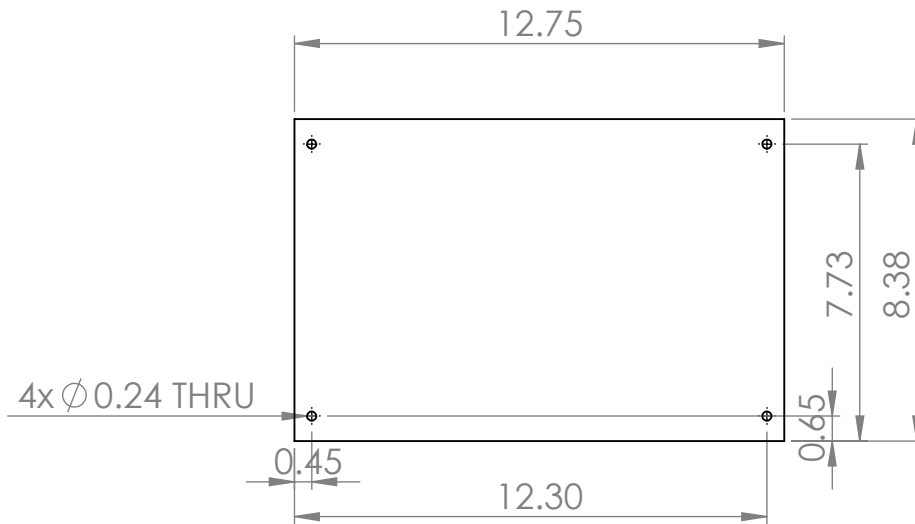
C

B

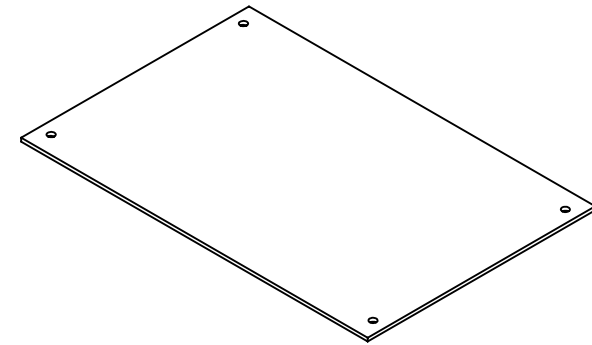
B

A

A



Front View



Isometric View

UNLESS OTHERWISE SPECIFIED: DIMENSIONS ARE IN INCHES SURFACE FINISH: TOLERANCES: \pm 0.01 ALL UNMARKED HOLES ARE 0.24 DIAMETER			FINISH:		DEBURR AND BREAK SHARP EDGES		DO NOT SCALE DRAWING		REVISION				
							<p>TITLE:</p> <h1 style="text-align: center;">Electrical Shelf</h1>						
DRAWN		Joanna Dickinson	SIGNATURE		DATE							1/27/19	
CHK'D		Lorena Ferreira			DATE							1/27/19	
APPV'D		Leanna Temple			DATE							1/27/19	
MFG													
Q.A					MATERIAL:		ACRYLIC 1/8" THICK		DWG NO.		A4		
									SCALE:1:5		SHEET 1 OF 1		

6

5

4

3

2

1